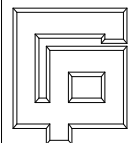
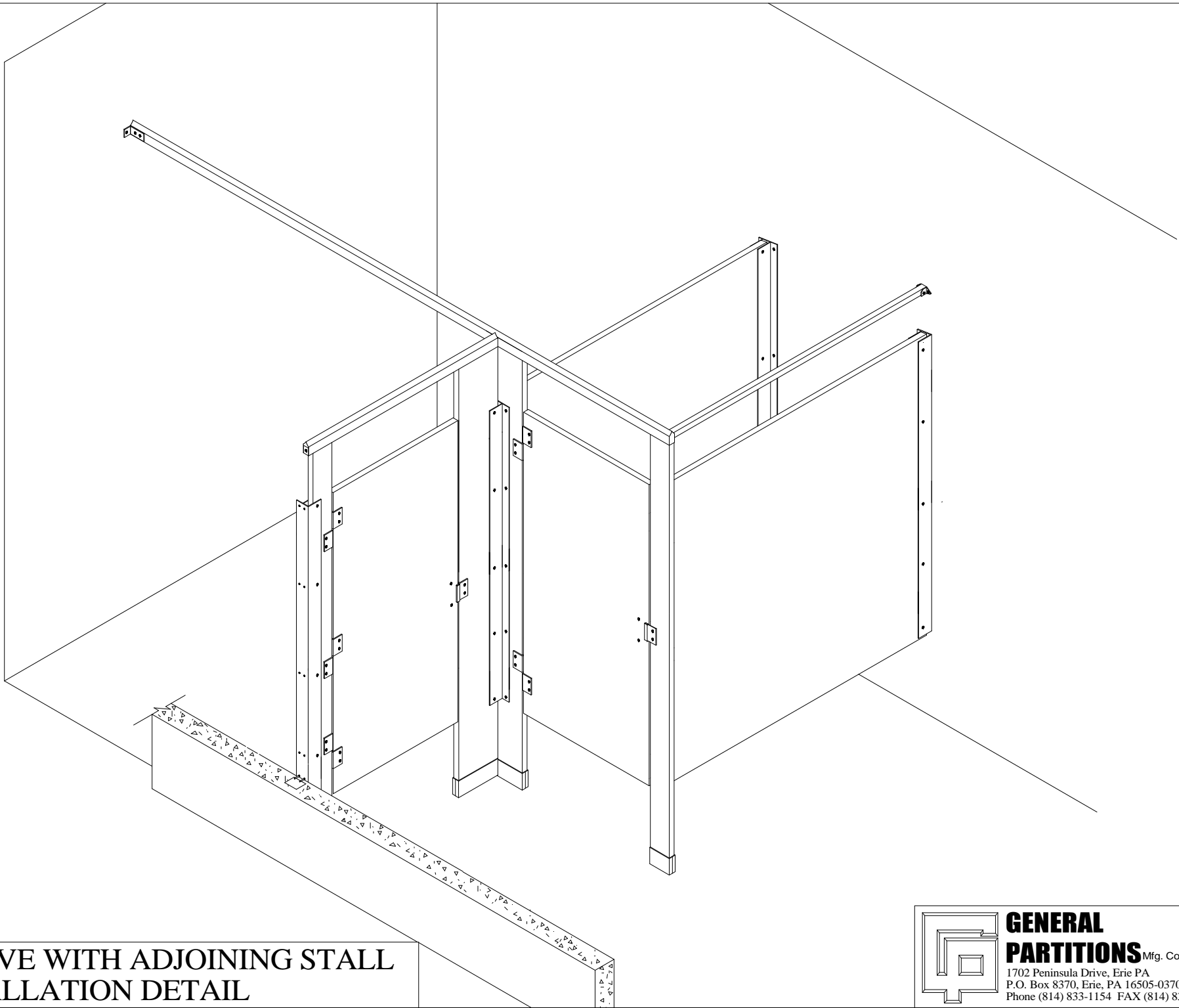


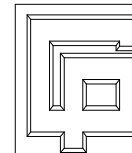
* NOTE:
ALUMINUM HEAT SINC STRIP TO BE MOUNTED
AT BOTTOM OF PANELS & DOORS.

STANDARD STALL INSTALLATION DETAIL

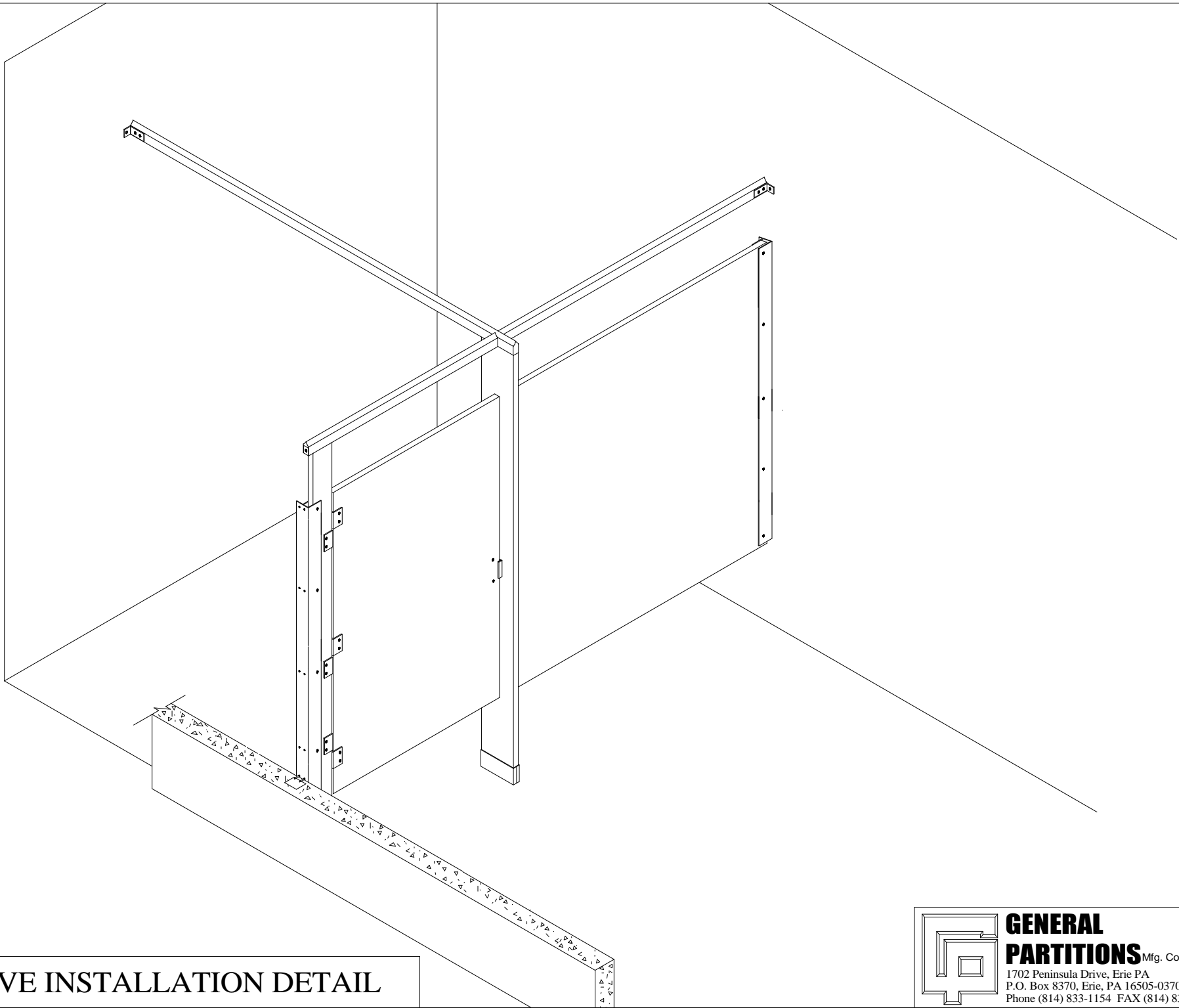
 **GENERAL
PARTITIONS** Mfg. Corp.
1702 Peninsula Drive, Erie PA
P.O. Box 8370, Erie, PA 16505-0370
Phone (814) 833-1154 FAX (814) 838-3473



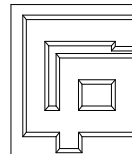
ALCOVE WITH ADJOINING STALL
INSTALLATION DETAIL



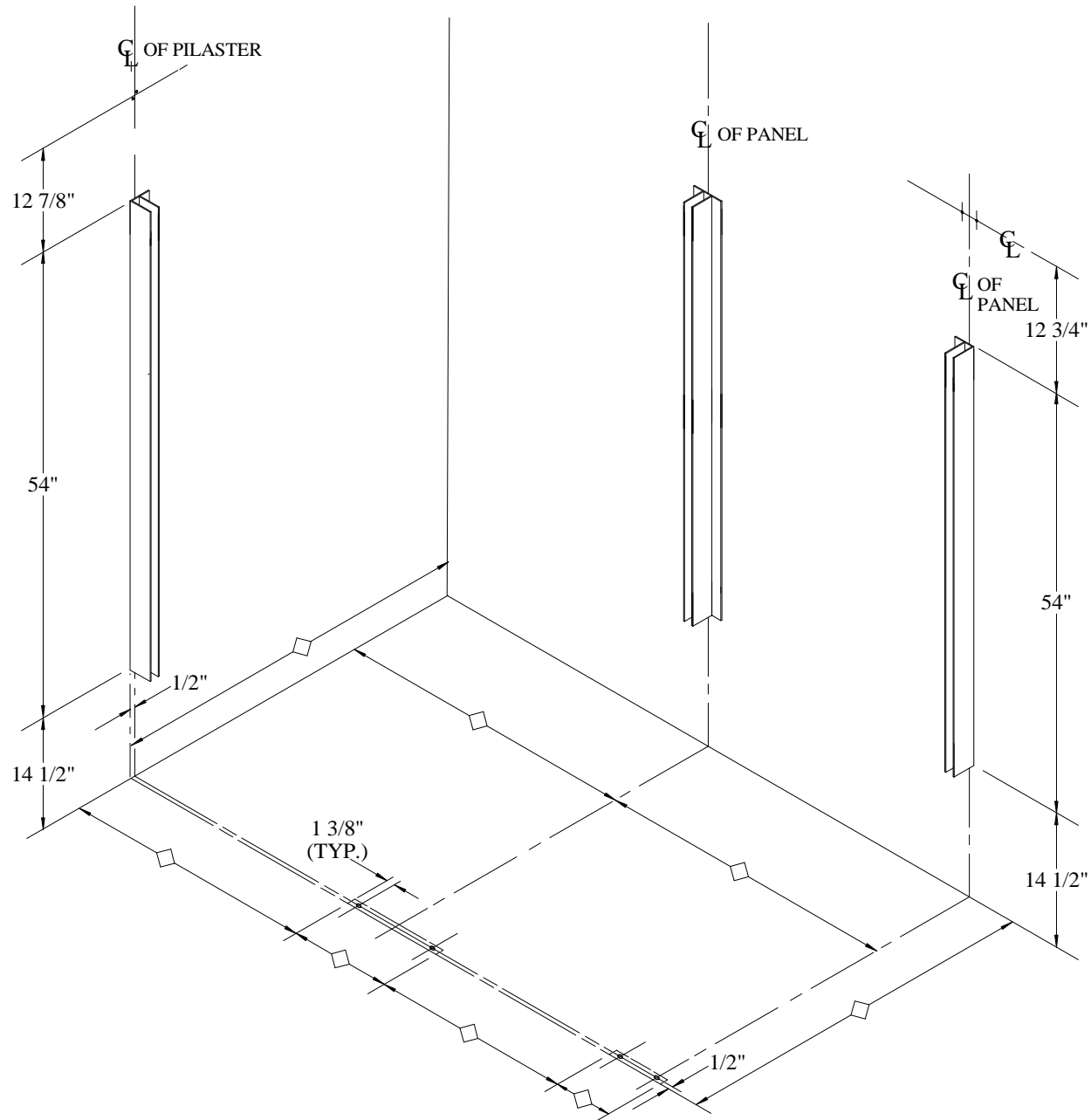
GENERAL PARTITIONS Mfg. Corp.
1702 Peninsula Drive, Erie PA
P.O. Box 8370, Erie, PA 16505-0370
Phone (814) 833-1154 FAX (814) 838-3473



ALCOVE INSTALLATION DETAIL



GENERAL PARTITIONS Mfg. Corp.
1702 Peninsula Drive, Erie PA
P.O. Box 8370, Erie, PA 16505-0370
Phone (814) 833-1154 FAX (814) 838-3473

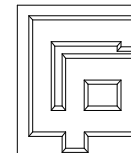


LEGEND

◊ Obtain From Job Prints.

LAYOUT AND MOUNTING BRACKETS DETAIL

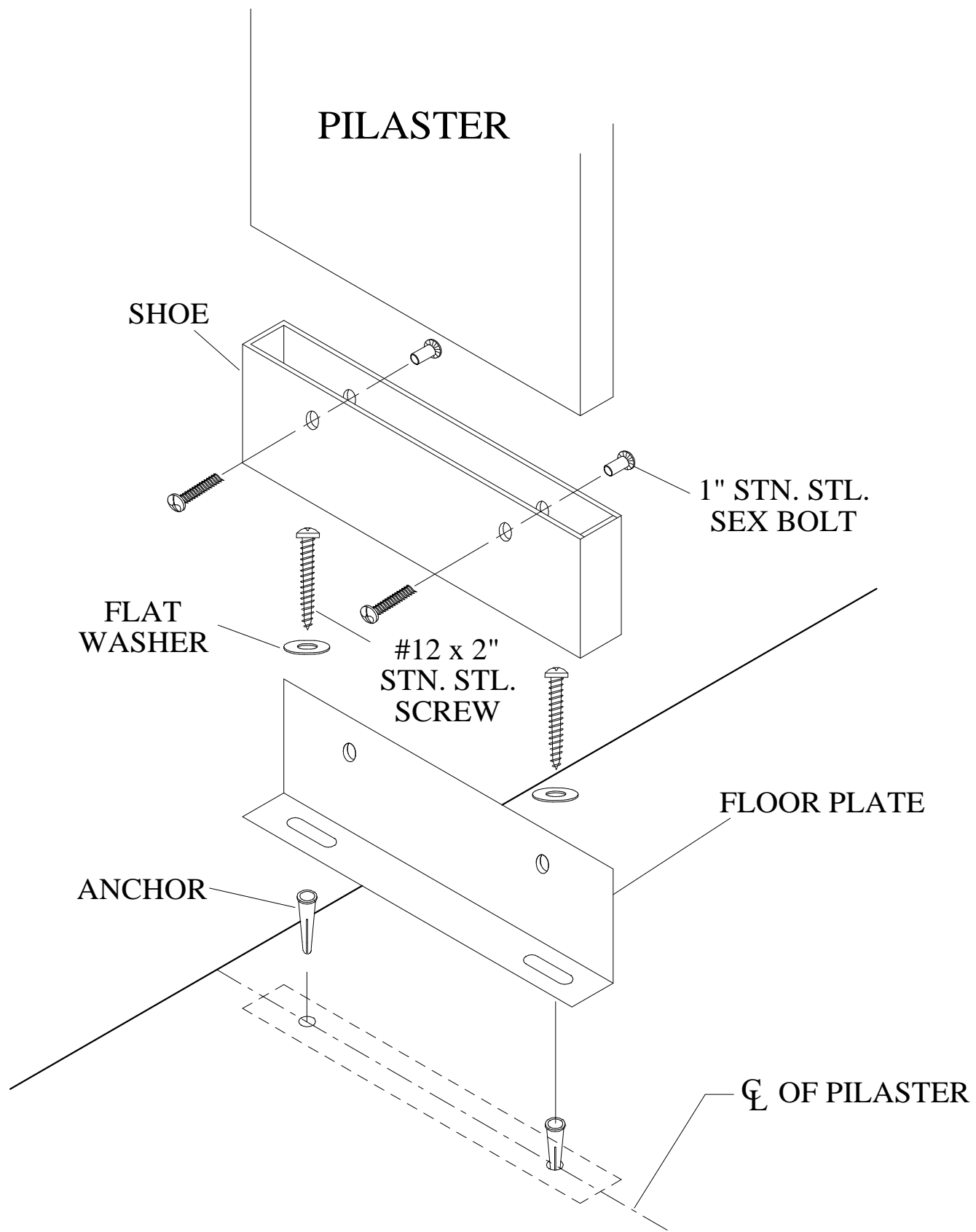
55" HIGH DOORS & PANELS



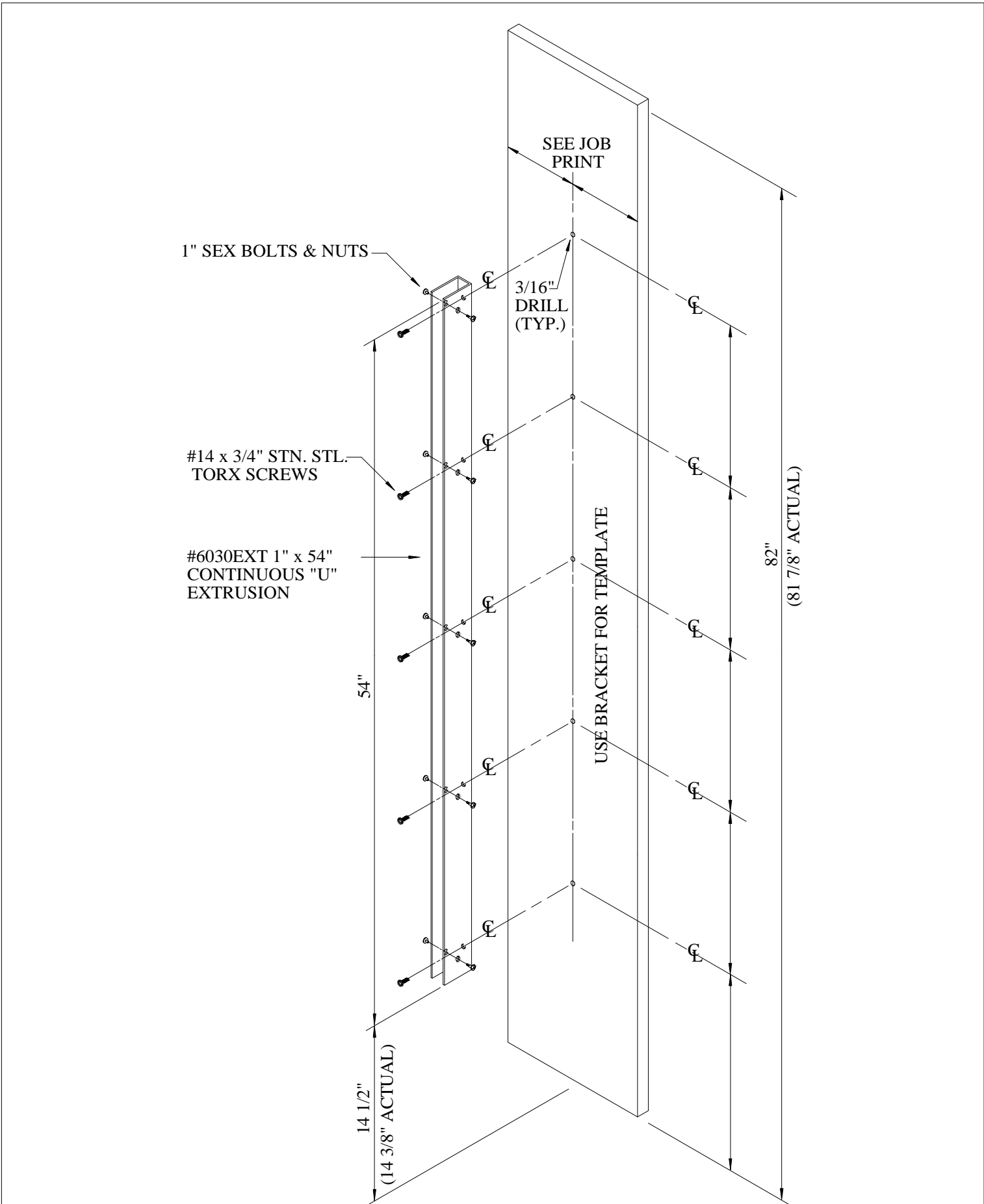
GENERAL PARTITIONS Mfg. Corp.
 1702 Peninsula Drive, Erie PA
 P.O. Box 8370, Erie, PA 16505-0370
 Phone (814) 833-1154 FAX (814) 838-3473

DIMENSIONS FOR DRILLING FLOOR FASTENERS

PILASTER SIZE	NO. OF HOLES	PIL. EDGE TO ϕ OF DRILL	ϕ TO ϕ OF DRILL HOLES
2"	1	1"	—
3"	1	1 1/2"	—
4"	2	1 3/8"	1 1/4"
5"	2	1 3/8"	2 1/4"
6"	2	1 3/8"	3 1/4"
8"	2	1 3/8"	5 1/4"
10"	2	1 3/8"	7 1/4"
12"	2	1 3/8"	9 1/4"
14"	2	1 3/8"	11 1/4"
18"	2	1 3/8"	15 1/4"
20"	2	1 3/8"	17 1/4"
22"	2	1 3/8"	19 1/4"
24"	2	1 3/8"	21 1/4"

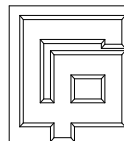


40 SERIES FLOOR CONNECTION



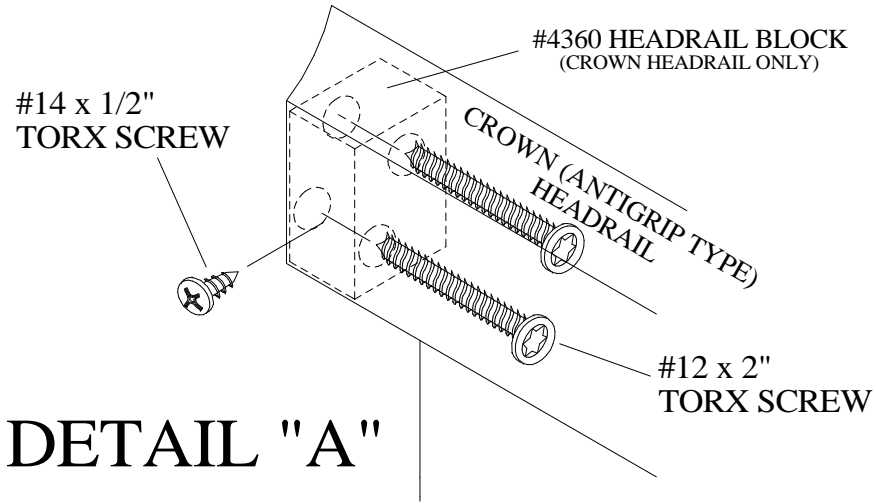
**PANEL TO PILASTER
ATTACHMENT DETAIL**

55" HIGH PANELS & DOORS

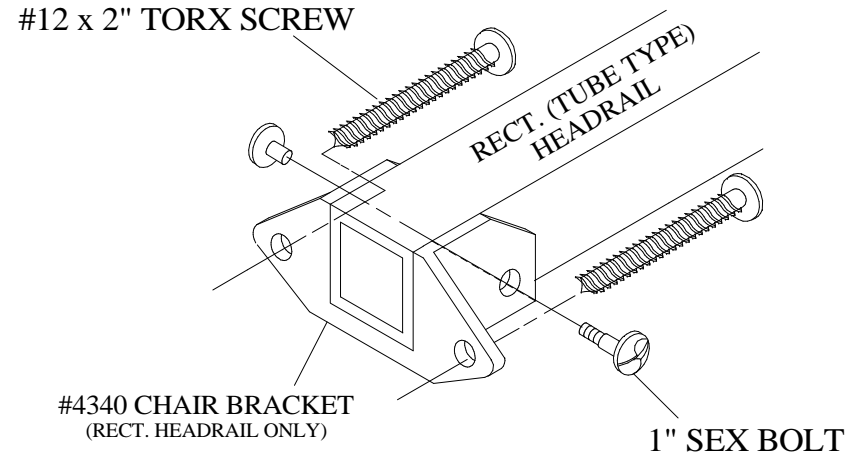


GENERAL PARTITIONS Mfg. Corp.
 1702 Peninsula Drive, Erie PA
 P.O. Box 8370, Erie, PA 16505-0370
 Phone (814) 833-1154 FAX (814) 838-3473

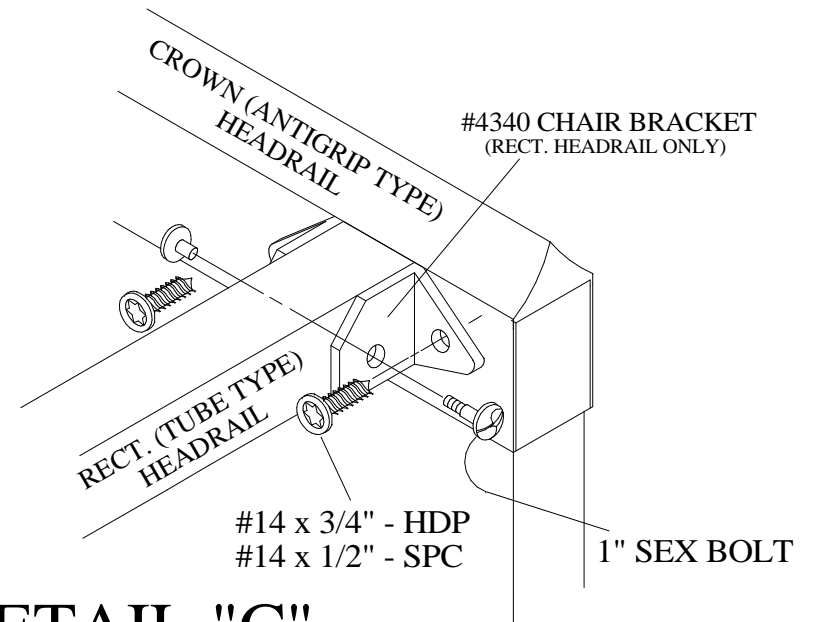
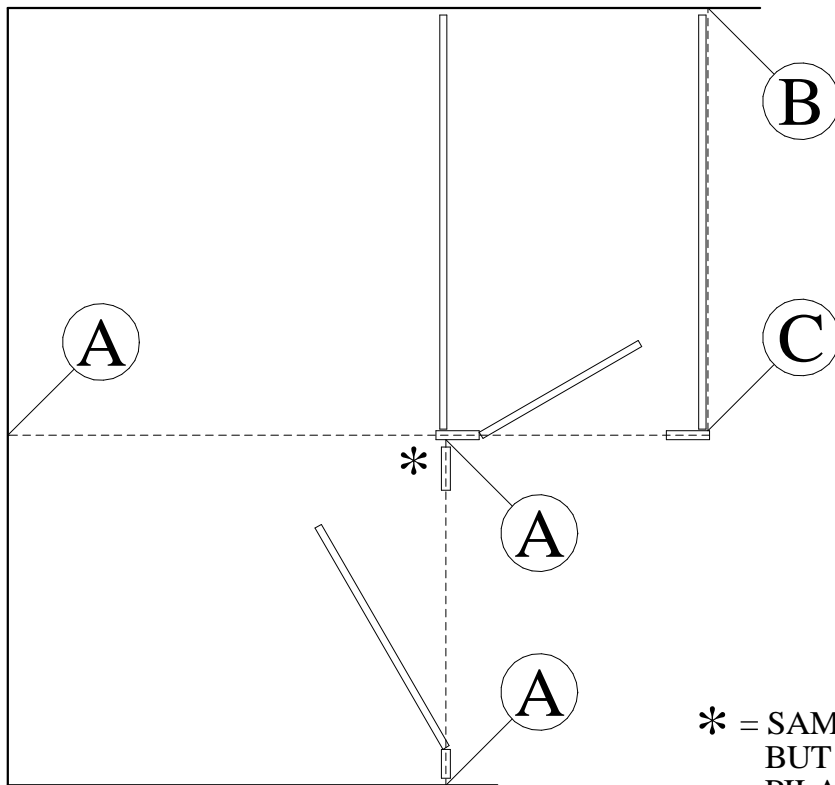
HEADRAIL INSTALLATION DETAIL



DETAIL "A"

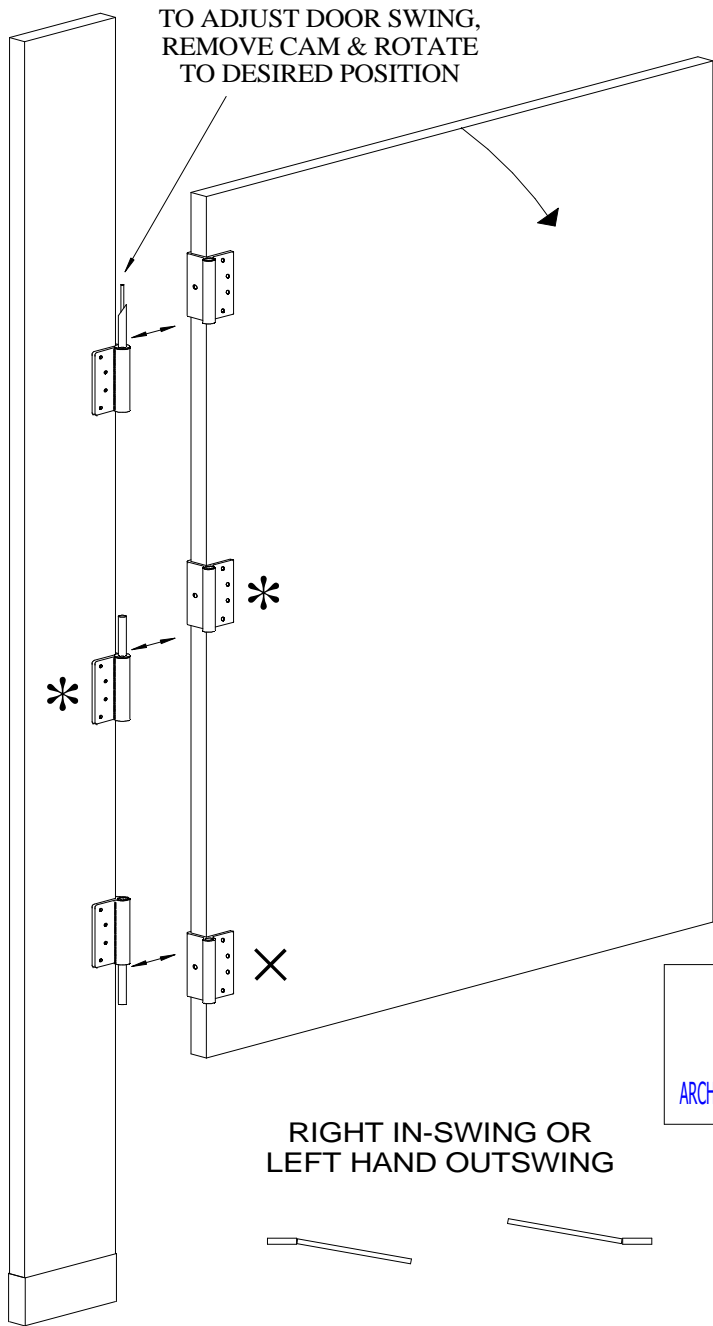


DETAIL "B"

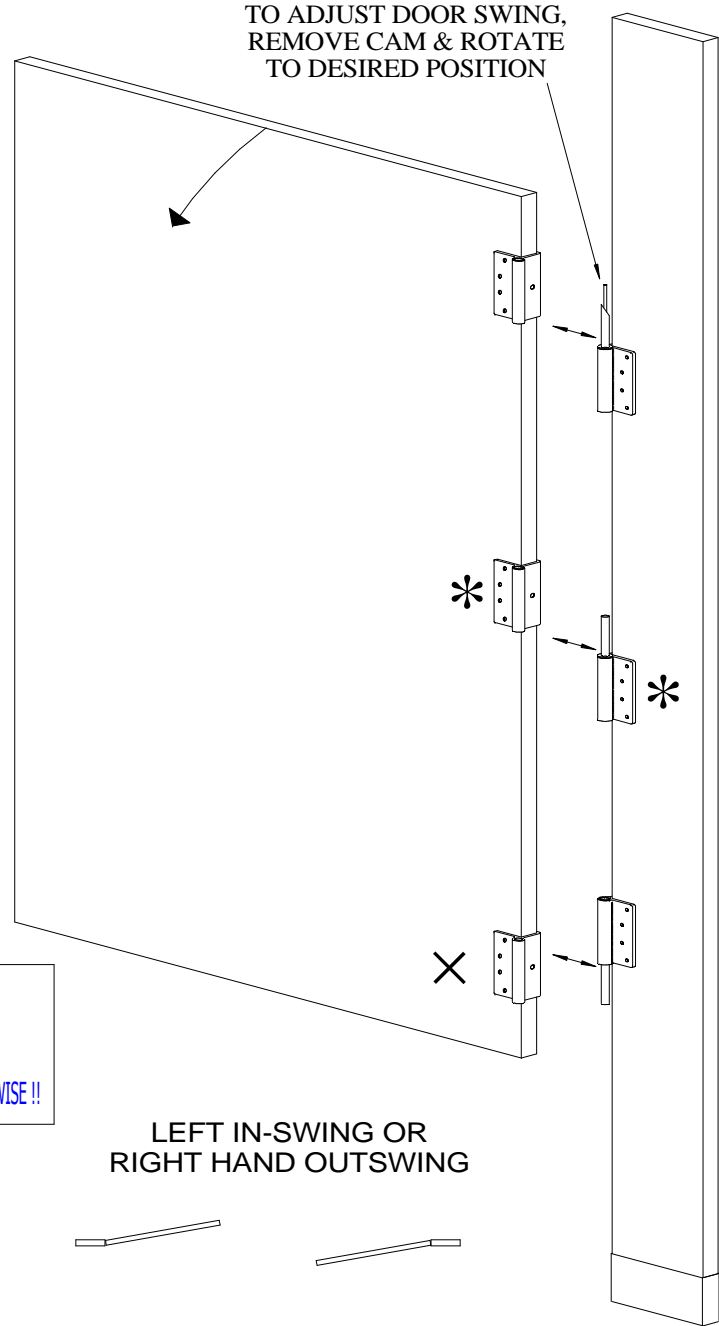


DETAIL "C"

* = SAME CONNECTION AS DETAIL "A"
BUT USE #14 x 1" SCREWS INTO
PILASTER



RIGHT IN-SWING OR
LEFT HAND OUTSWING



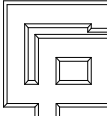
LEFT IN-SWING OR
RIGHT HAND OUTSWING

INSTALLER NOTE:
ADJUST THE HANDICAPPED DOORS
TO THE CLOSED POSITION UNLESS THE
ARCHITECTURAL SPECIFICATIONS STATE OTHERWISE !!

* NOTE: DOORS SMALLER THAN 30"
ONLY HAVE A TOP AND BOTTOM HINGE
THE MIDDLE HINGE IS ELIMINATED.

X NOTE: SECURE BOTTOM DOOR HINGE
AFTER DOOR IS HUNG ON PILASTER

Drawn by: SPS 12/29/03 1500AL HINGE SWING (HDP)



GENERAL PARTITIONS Mfg. Corp.
1702 Peninsula Drive, Erie PA
P.O. Box 8370, Erie, PA 16505-0370
Phone (814) 833-1154 FAX (814) 838-3473

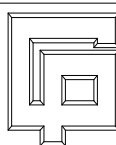
LEFT HAND INSWING OR
RIGHT HAND OUTSWING

ROTATE CAM FOR
DOOR ADJUSTMENT

* CENTER HINGE REQUIRED
FOR DOORS WIDER THAN
30" ONLY.

PILASTER

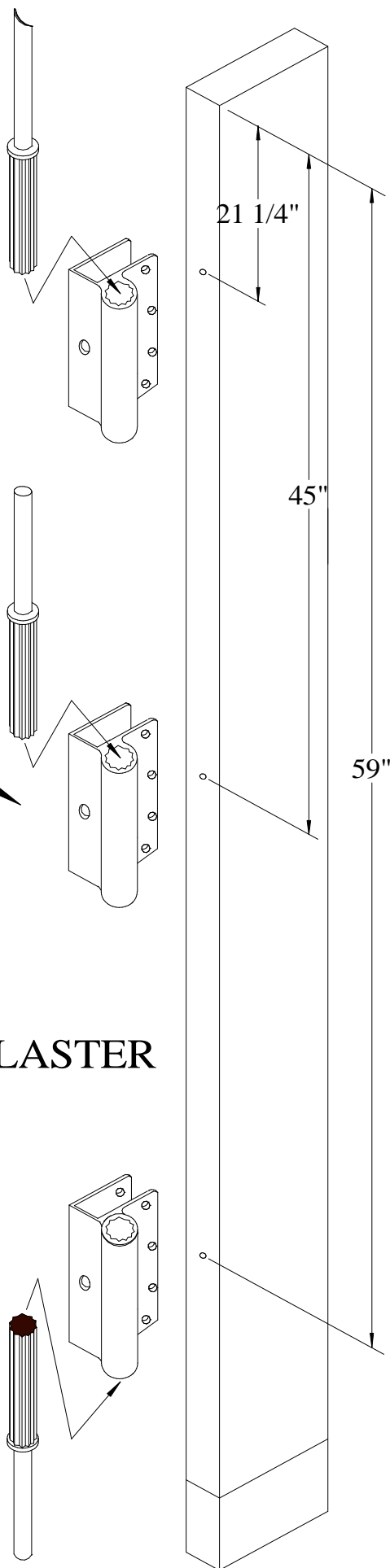
55" HIGH DOORS



**GENERAL
PARTITIONS** Mfg. Corp.

1702 Peninsula Drive, Erie PA
P.O. Box 8370, Erie, PA 16505-0370
Phone (814) 833-1154 FAX (814) 838-3473

PILASTER DRILLING TEMPLATE DETAIL



LEFT HAND INSWING OR
RIGHT HAND OUTSWING

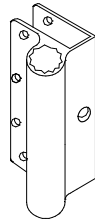
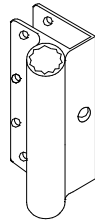
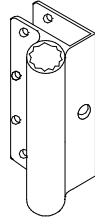
TOP
OF
DOOR

4"

27 1/2"

DOOR

23 1/2"

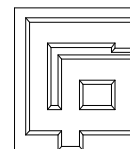


CENTER HINGE REQUIRED
FOR DOORS WIDER THAN
30" ONLY.

SECURE BOTTOM DOOR
HINGE AFTER DOOR IS
HUNG ON PILASTER.

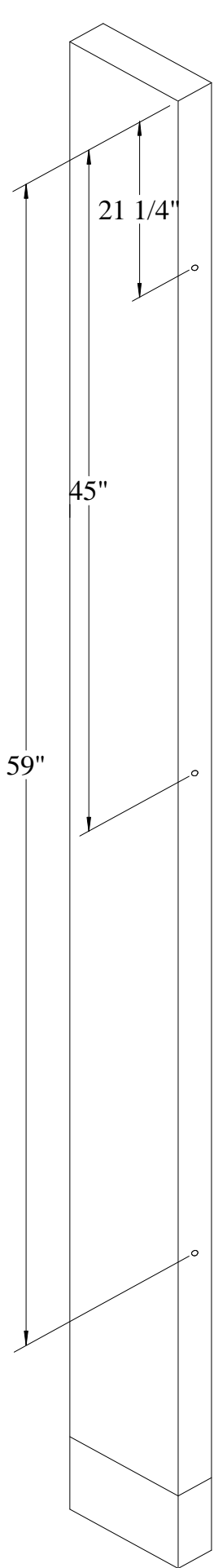
55" HIGH DOORS

DOOR DRILLING TEMPLATE DETAIL

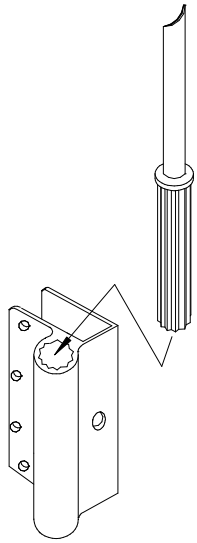


**GENERAL
PARTITIONS** Mfg. Corp.

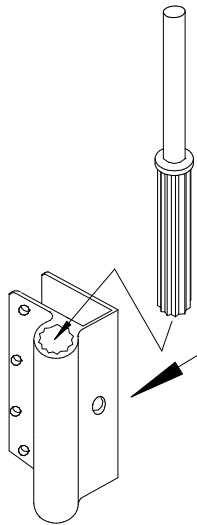
1702 Peninsula Drive, Erie PA
P.O. Box 8370, Erie, PA 16505-0370
Phone (814) 833-1154 FAX (814) 838-3473



RIGHT HAND INSWING OR
LEFT HAND OUTSWING

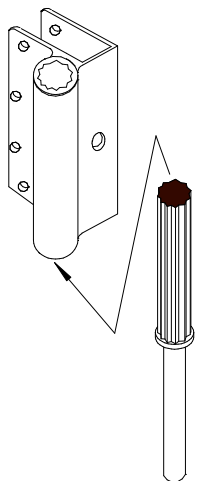


ROTATE CAM FOR
DOOR ADJUSTMENT



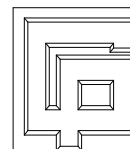
*
CENTER HINGE REQUIRED FOR
DOORS WIDER THAN 30" ONLY.

PILASTER



55" HIGH DOORS

PILASTER DRILLING TEMPLATE DETAIL



GENERAL PARTITIONS Mfg. Corp.
1702 Peninsula Drive, Erie PA
P.O. Box 8370, Erie, PA 16505-0370
Phone (814) 833-1154 FAX (814) 838-3473

RIGHT HAND INSWING OR
LEFT HAND OUTSWING

TOP
OF
DOOR



4"

27 1/2"

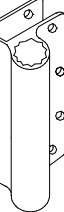
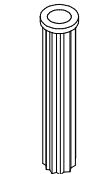
CENTER HINGE REQUIRED
FOR DOORS WIDER THAN
30" ONLY.



DOOR

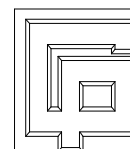
23 1/2"

SECURE BOTTOM DOOR
HINGE AFTER DOOR IS
HUNG ON PILASTER.

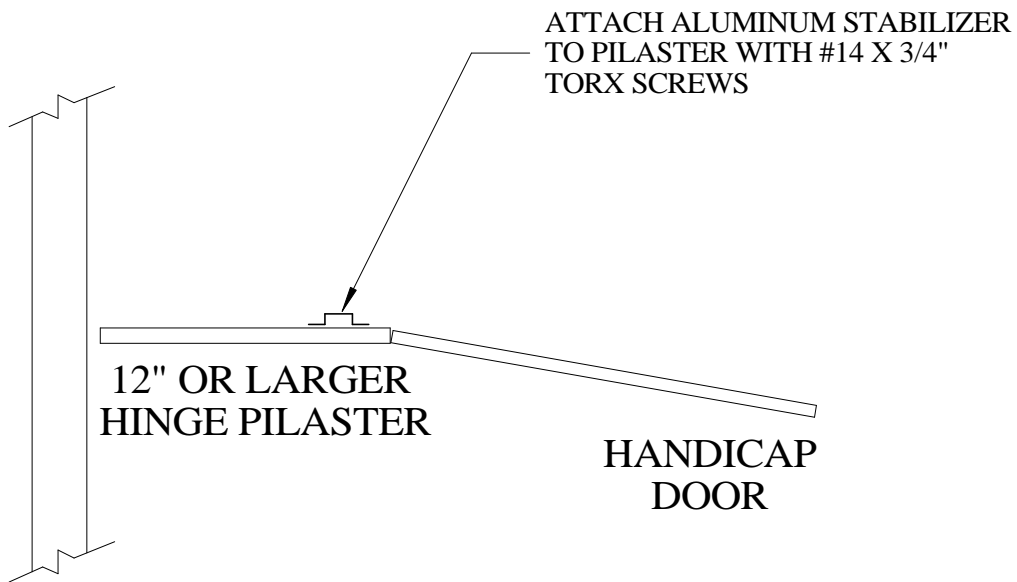


55" HIGH DOORS

DOOR DRILLING TEMPLATE DETAIL



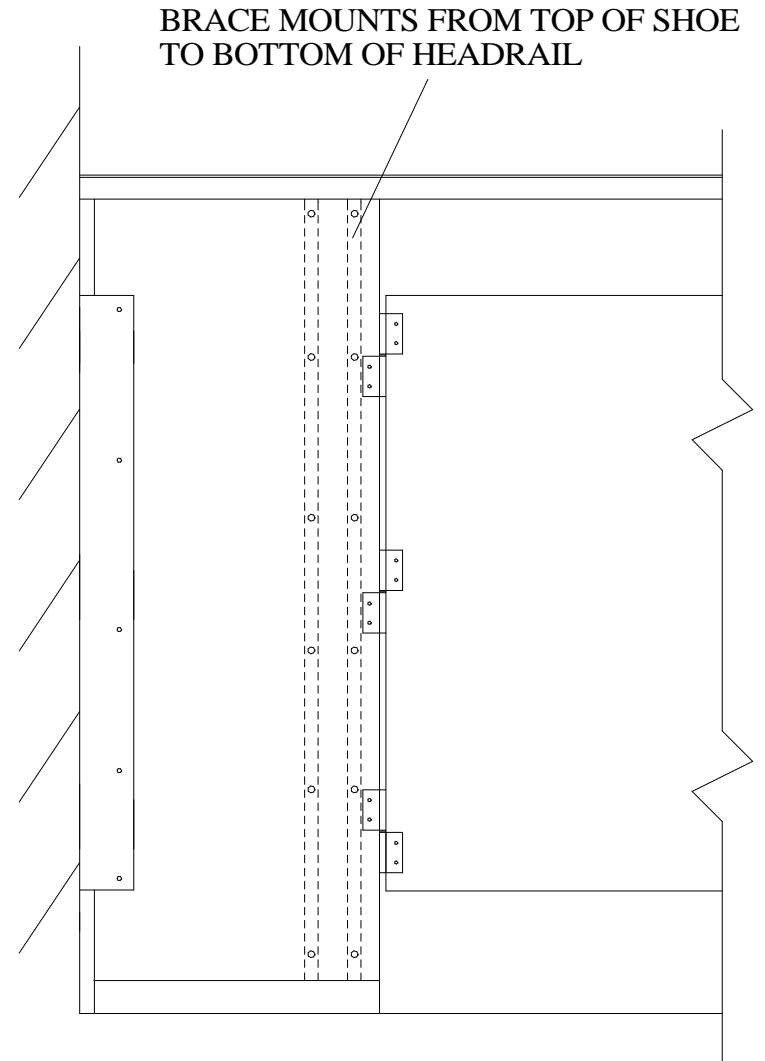
GENERAL PARTITIONS Mfg. Corp.
1702 Peninsula Drive, Erie PA
P.O. Box 8370, Erie, PA 16505-0370
Phone (814) 833-1154 FAX (814) 838-3473



TOP VIEW

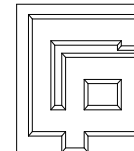
INSTALLER NOTE !!!

**FAILURE TO INSTALL STABILIZER
WILL VOID WARRANTY !!**

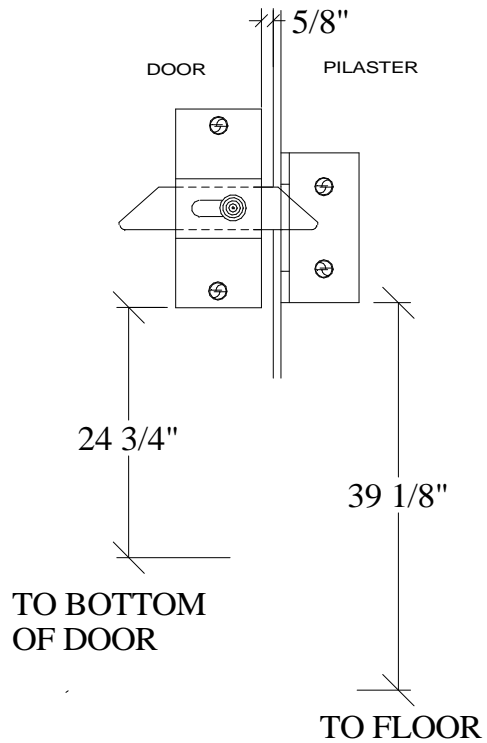


FRONT ELEVATION

**OVERSIZED HINGE PILASTERS
INSTALLATION DETAIL**



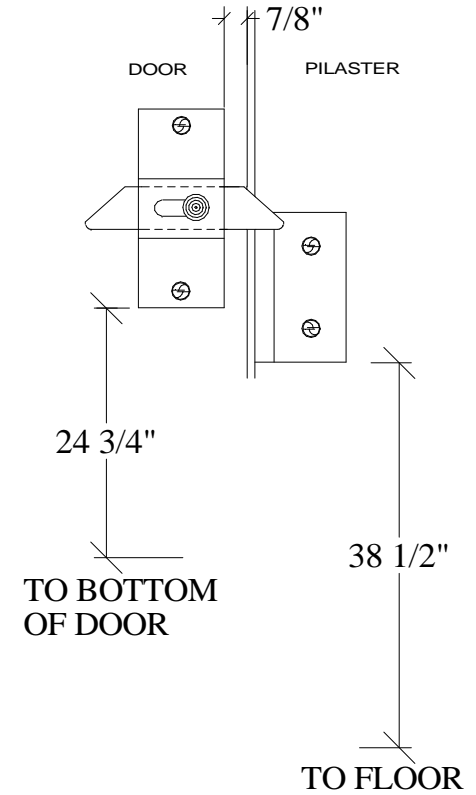
**GENERAL
PARTITIONS** Mfg. Corp.
1702 Peninsula Drive, Erie PA
P.O. Box 8370, Erie, PA 16505-0370
Phone (814) 833-1154 FAX (814) 838-3473



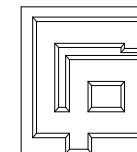
INSWING DOORS

55" HIGH DOORS

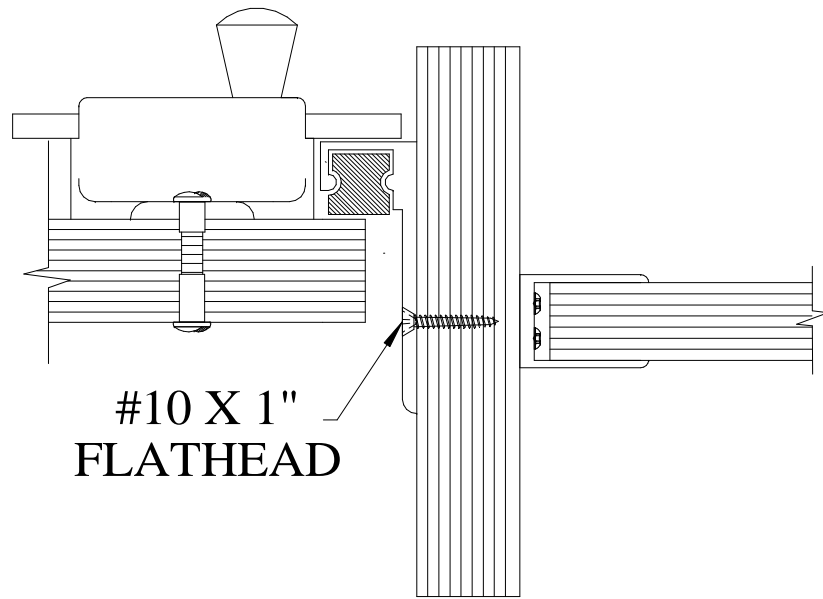
SLIDE LATCH & KEEPER
MOUNTING LOCATIONS



OUTSWING DOORS

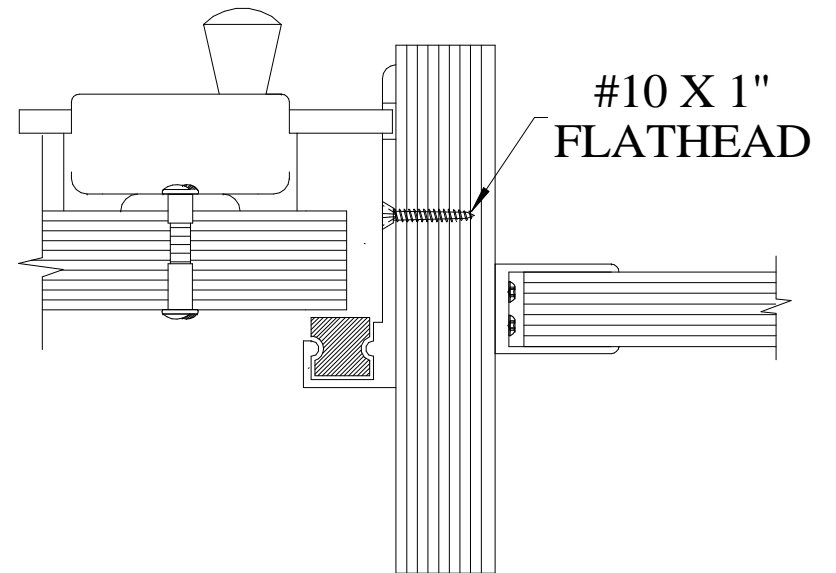


GENERAL PARTITIONS Mfg. Corp.
1702 Peninsula Drive, Erie PA
P.O. Box 8370, Erie, PA 16505-0370
Phone (814) 833-1154 FAX (814) 838-3473



#10 X 1"
FLATHEAD

OUTSWING DOOR

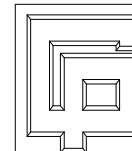


#10 X 1"
FLATHEAD

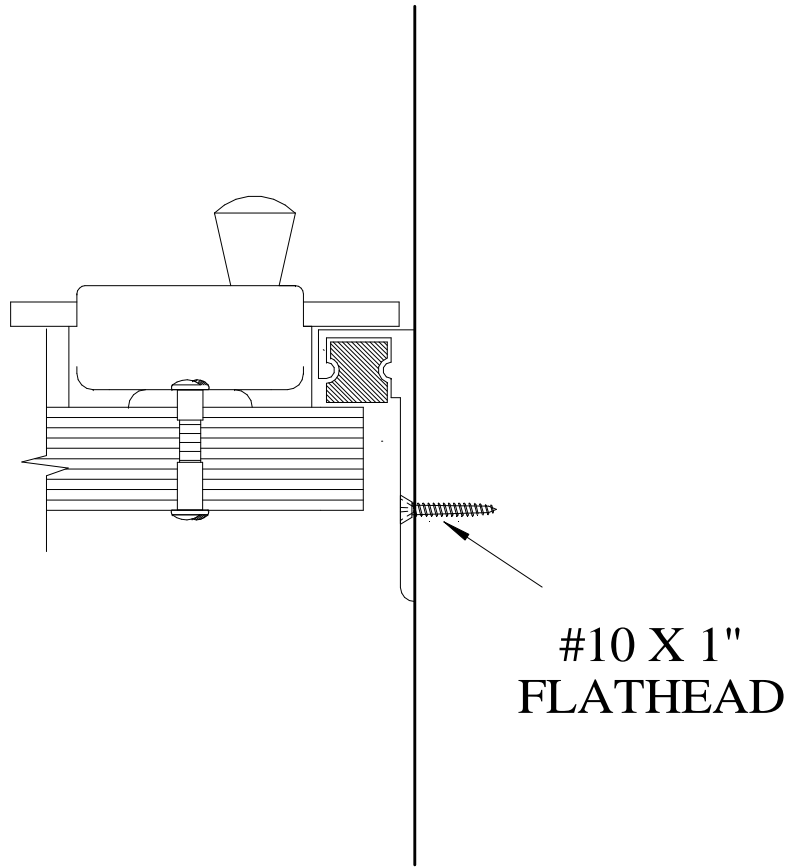
INSWING DOOR

FLATBACK STRIKE DETAIL

FLATBACK STRIKE DETAIL

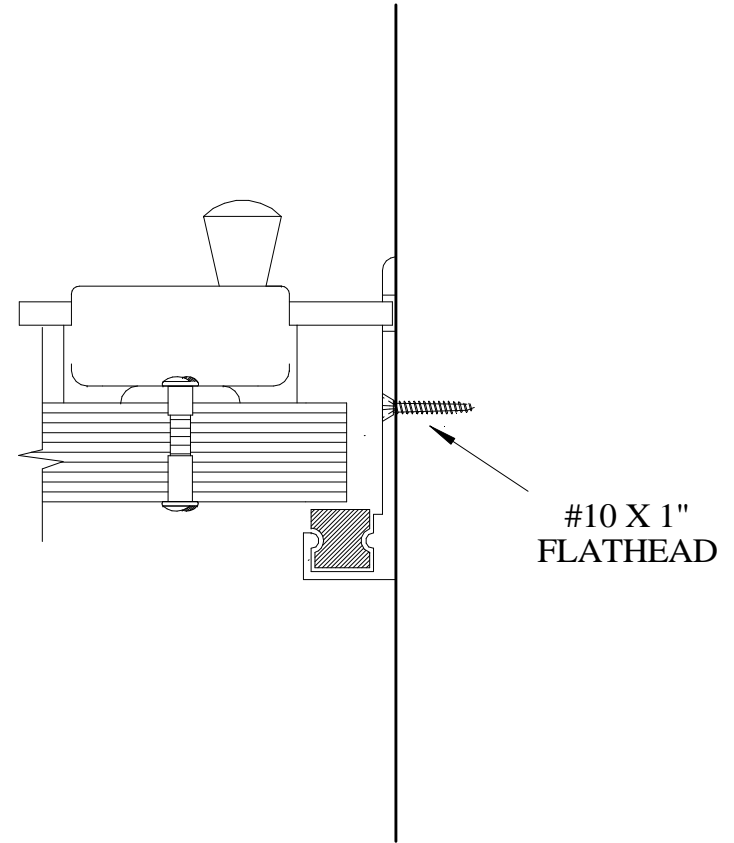


**GENERAL
PARTITIONS** Mfg. Corp.
1702 Peninsula Drive, Erie PA
P.O. Box 8370, Erie, PA 16505-0370
Phone (814) 833-1154 FAX (814) 838-3473



#10 X 1"
FLATHEAD

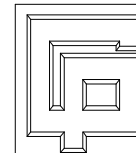
OUTSWING DOOR



#10 X 1"
FLATHEAD

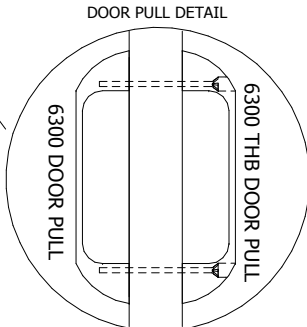
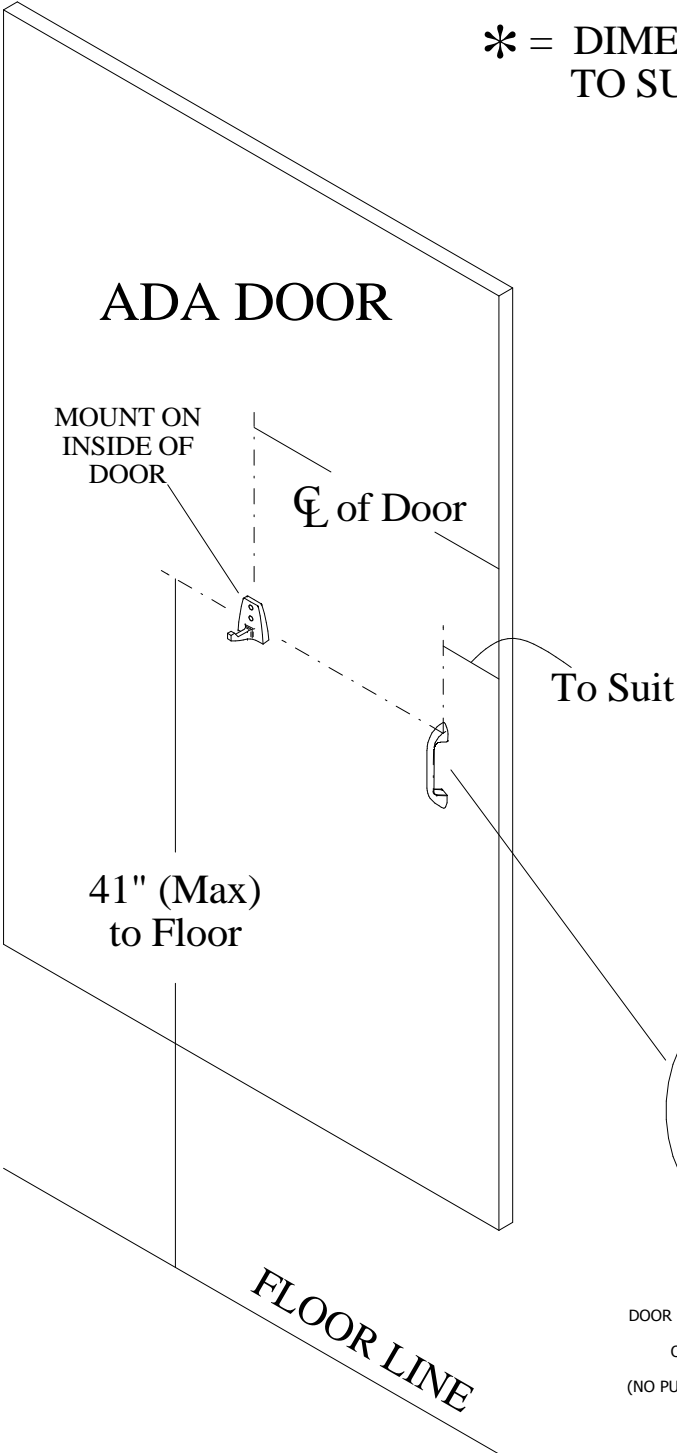
INSWING DOOR

FLATBACK STRIKE DETAIL

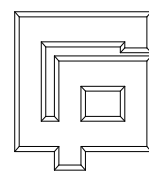
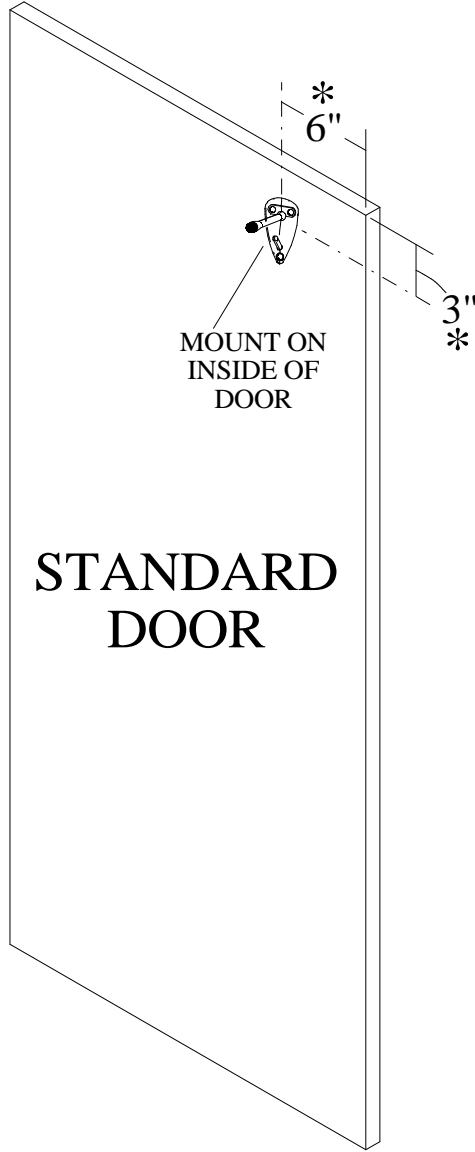


**GENERAL
PARTITIONS** Mfg. Corp.
1702 Peninsula Drive, Erie PA
P.O. Box 8370, Erie, PA 16505-0370
Phone (814) 833-1154 FAX (814) 838-3473

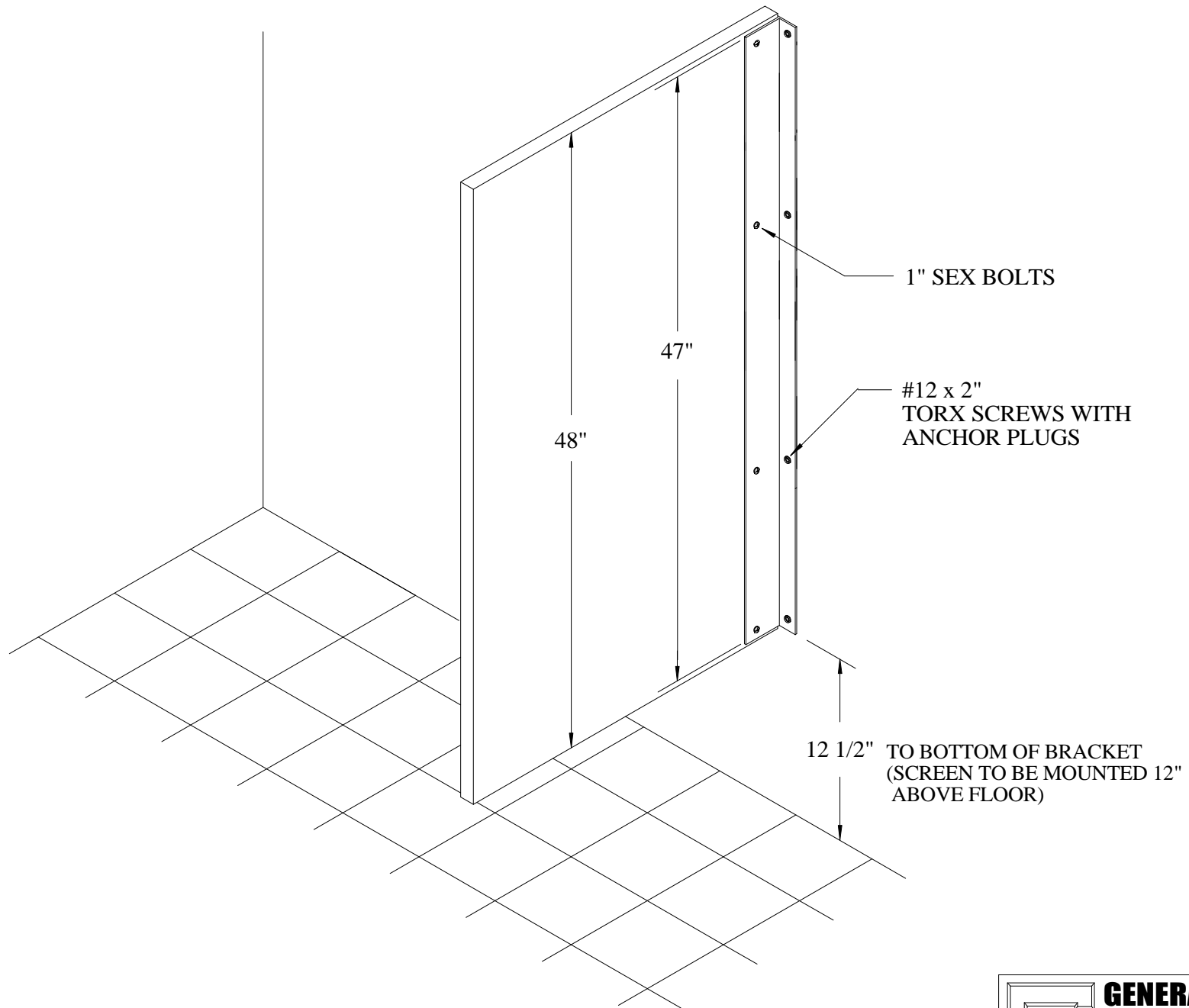
* = DIMENSION CAN VARY TO SUIT JOB CONDITION



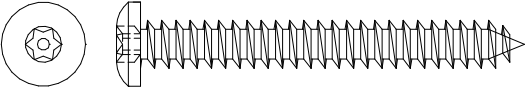
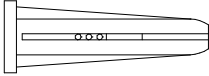
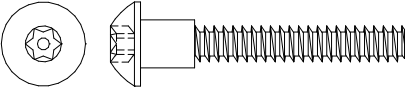
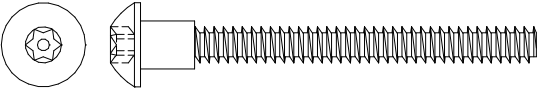
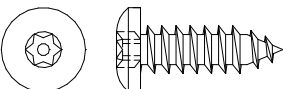
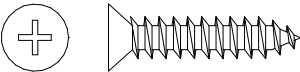
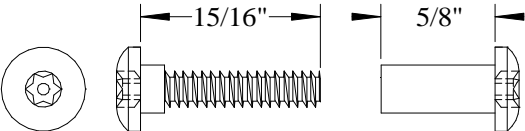
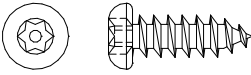
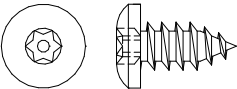
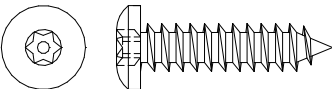
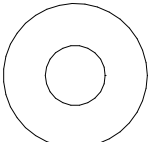
MOUNT DOOR PULLS NO HIGHER THAN 41" ABOVE FINISHED FLOOR.
 DOOR PULLS ARE REQUIRED ON INSIDE & OUTSIDE OF A.D.A. (HANDICAPPED) DOORS.
 ONLY ONE PULL PROVIDED FOR OUTSWING STANDARD DOORS.
 (NO PULL REQUIRED FOR INSWING STANDARD DOORS)



GENERAL PARTITIONS Mfg. Corp.
 1702 Peninsula Drive, Erie PA
 P.O. Box 8370, Erie, PA 16505-0370
 Phone (814) 833-1154 FAX (814) 838-3473



WHF-7 URINAL SCREEN DETAIL

	<p>2" STAINLESS STEEL TORX HEAD #12 SCREW- used for bracket-to-wall attachment, pilaster to floor attachment and headrail bracket-to-wall attachment. Drill 1/4" hole.</p>
	<p>PLASTIC ANCHOR- used in conjunction with the 2" x #12 screws.</p>
	<p>1 3/8" STAINLESS STEEL TORX #10 MALE MACHINE BOLT- used for attachment of standard door pull and slide latch on outswing doors only. Drill 1/4" hole.</p>
	<p>2 1/16" STAINLESS STEEL TORX #10 MALE MACHINE BOLT- used for attachment of ADA door pulls. Drill 1/4" hole.</p>
	<p>3/4" STAINLESS STEEL TORX HEAD #14 SCREW- used for continuous wall brackets on back of pilasters, shoe to pilaster, and back of headrail at top of pilaster. Drill 3/16" hole.</p>
	<p>1" STEEL #10 HINGE SCREW- used for securing the hinges to the edges of the pilasters. Drill 1/8" hole.</p>
	<p>1" STAINLESS STEEL TORX #10 THRU-BOLT- used for bracket-to-panel, bracket-to-pilaster, headrail-to-chair bracket, and the following door hardware: hinges, latches, strikes and keepers. Drill 1/4" hole.</p>
	<p>5/8" STAINLESS STEEL #10 TORX SCREW- used for attaching the coat hook and for attachment of the wall stop on outswing doors. Drill 1/8" hole.</p>
	<p>1/2" STAINLESS STEEL #14 TORX SCREW- used for attachment of anti-grip headrail to headrail block. Drill 3/16" hole.</p>
	<p>#14 x 1" TORX SCREW- used for attachment of headrail block to pilaster at alcove connection. Drill 3/16" hole.</p>
	<p>1/4" x 3/4" x 1/16" STAINLESS STEEL WASHER- used for attachment of floor plate.</p>